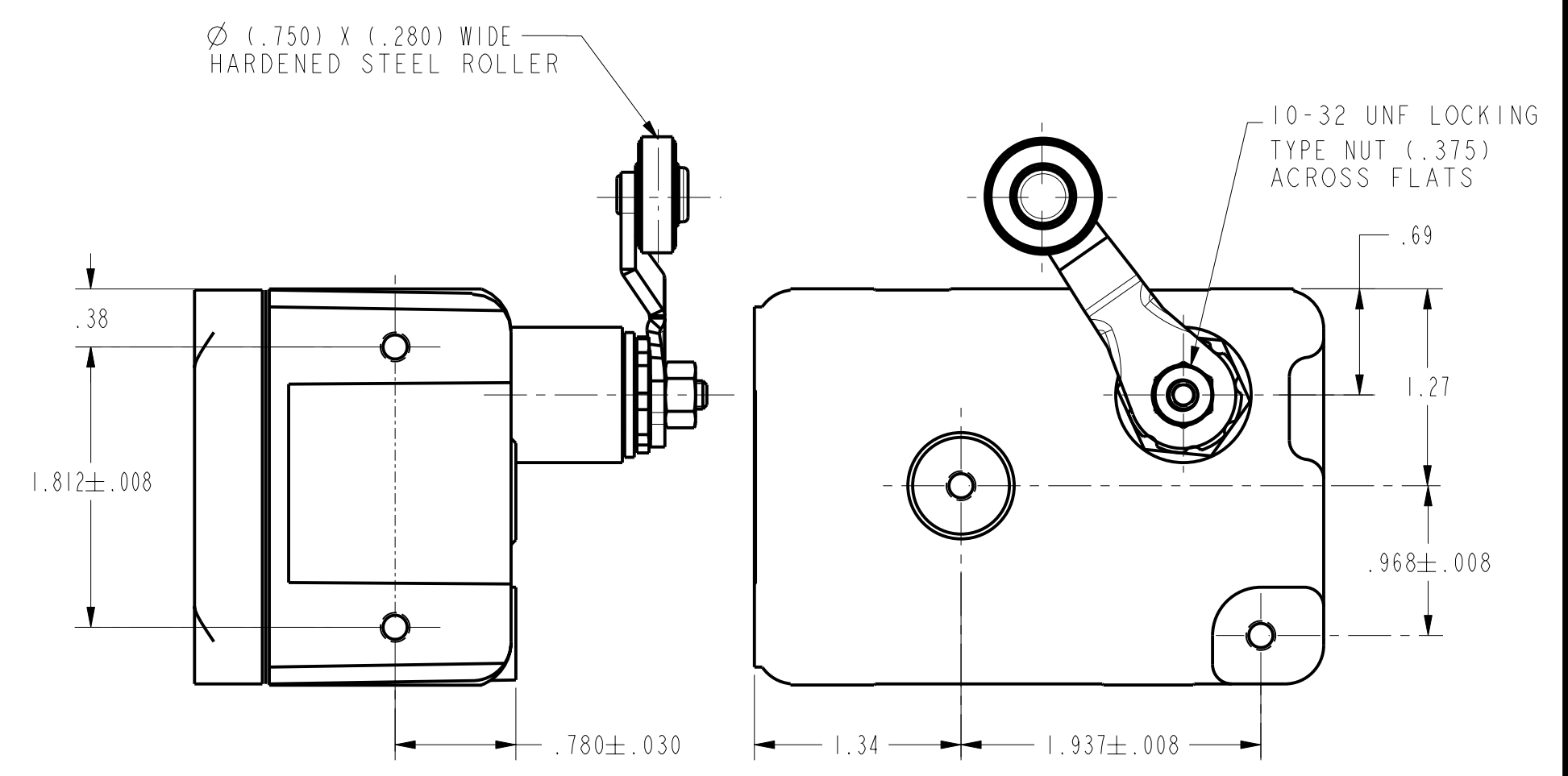
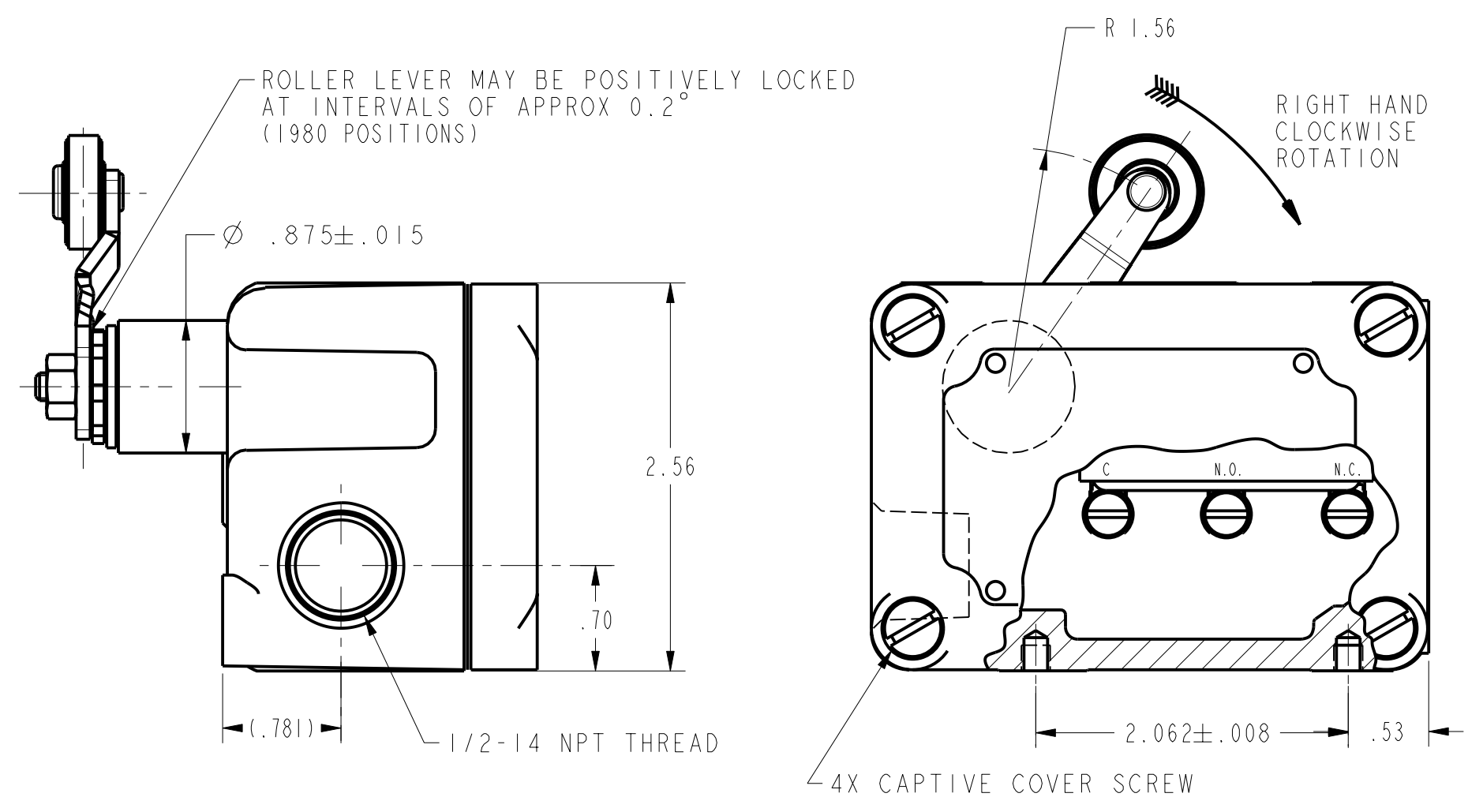
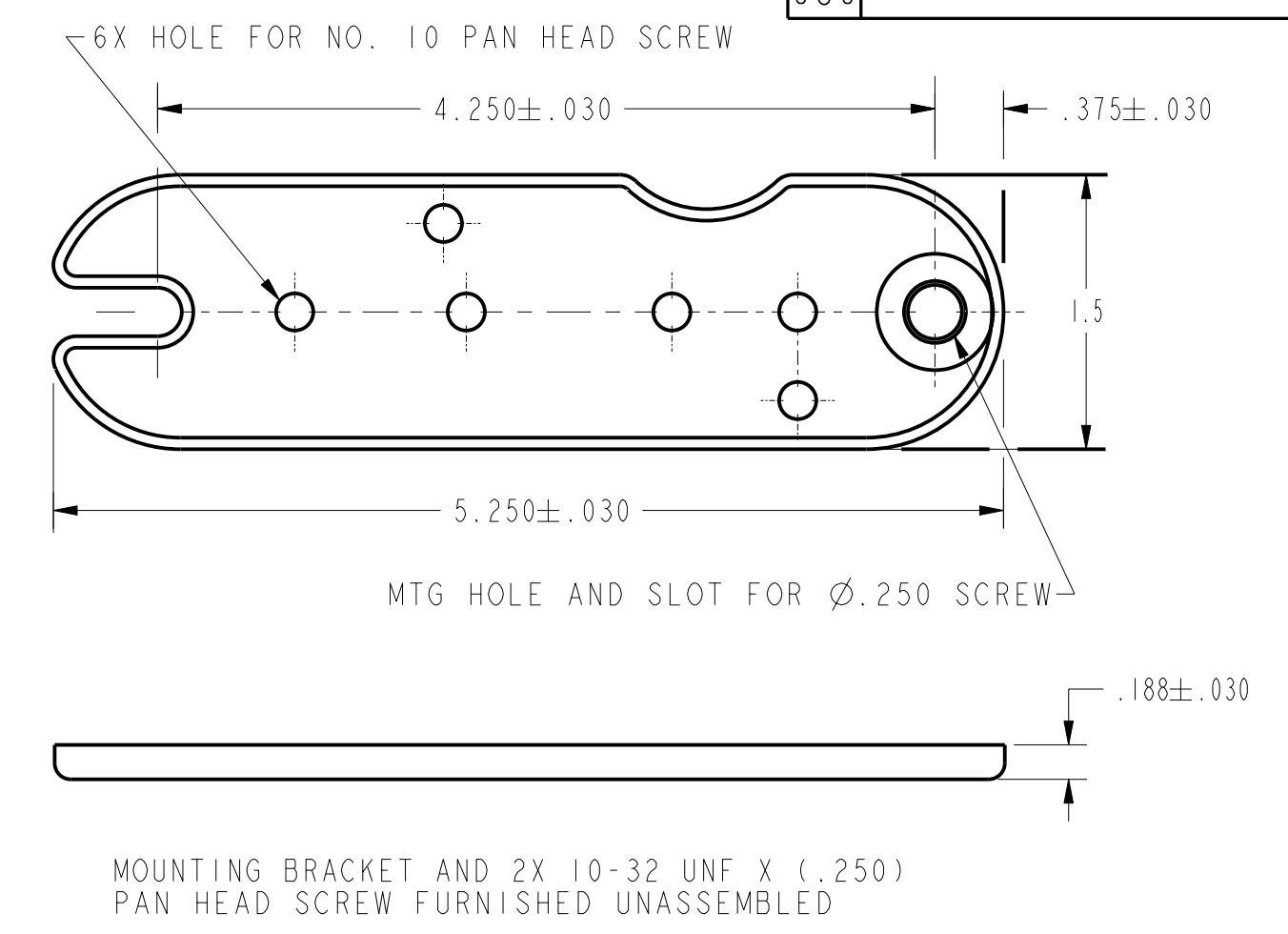
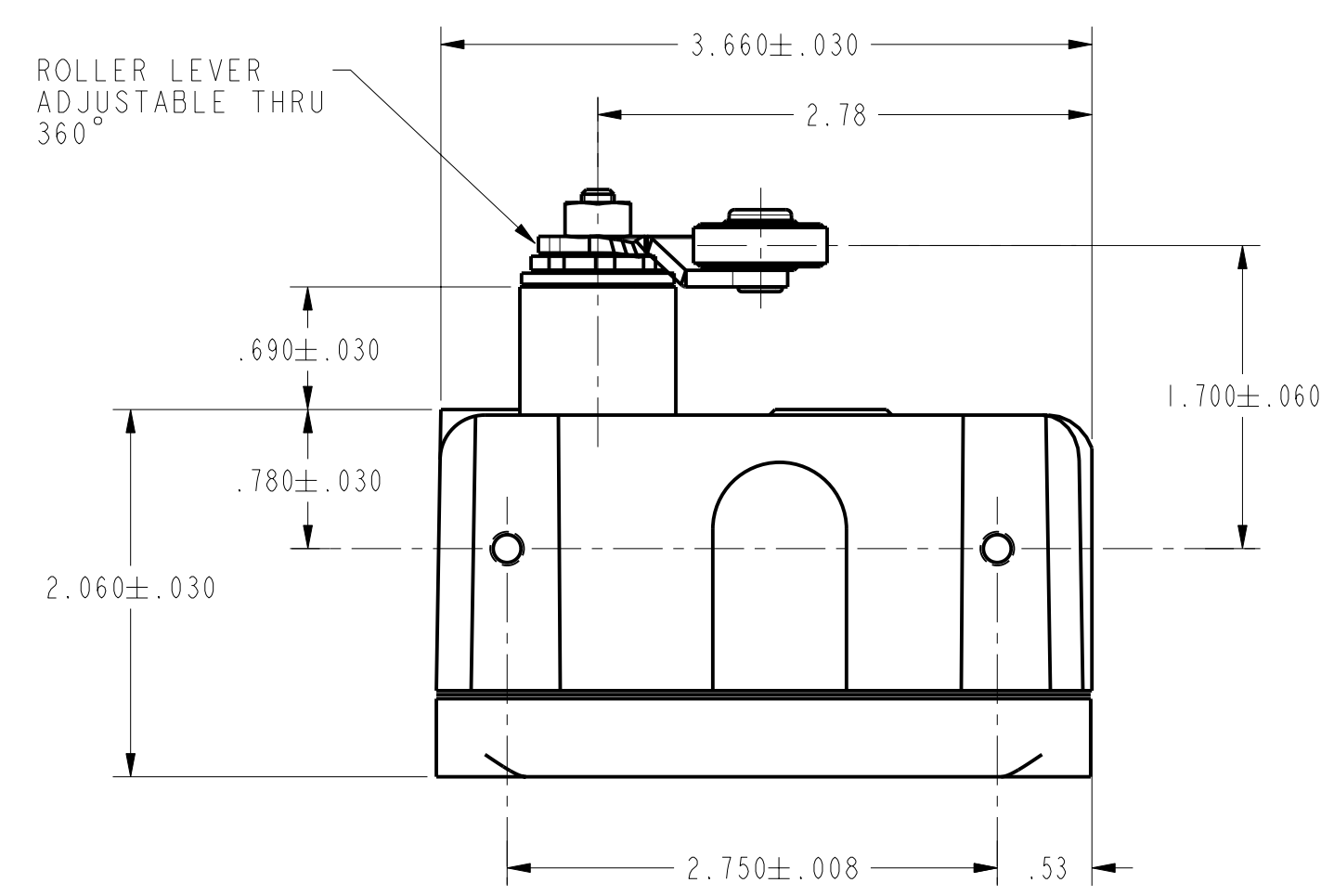


M

OP-AR



NOTES
 1 - 8X MOUNTING SCREW HOLES, 10-32 UNF-2B THREADS X (.219) DEEP
 2 - 8-32 UNC X (.219) BINDING HEAD TERMINAL SCREWS AND CUPWASHERS
 3 - SEALED CONSTRUCTION PROVIDES SPLASH RESISTANCE

ISSUE 27
 DRAWING NUMBER
 OP-AR
 RELEASE NO.
 CHECK
 JAF
 06MAY99
 P.T.C./CAD [20]

CHARACTERISTICS
OPERATING FORCE ----- 1/2 - 1 1/4 LB
RELEASE FORCE ----- 1/4 LB MIN
PRETRAVEL ----- .219 MAX 8°
DIFFERENTIAL TRAVEL --- .007 MAX 1/4°
DO NOT OVERTRAVEL MORE THAN --- 90°
SWITCH - BASIC REPLACEMENT - BZ-2R-P4

ELECTRICAL DATA
CONTACT ARRANGEMENT S P D T
L96
15A 125, 250 OR 480 VAC
1/8HP 125 VAC, 1/4HP 250 VAC
1/2A 125 VDC, 1/4A 250 VDC



ANSI Y14.5M-1982 APPLIES

THIS DRAWING COVERS A PROPRIETARY ITEM AND IS THE PROPERTY OF MICRO SWITCH, A DIVISION OF HONEYWELL. THIS DRAWING IS NOT TO BE COPIED OR USED WITHOUT THE APPROVAL OF MICRO SWITCH.

MICRO SWITCH
a Honeywell Division

SWITCH - ENCLOSED

CATALOG LISTING
OP-AR

FED. MFG. CODE 91929

THIRD ANGLE PROJECTION		
SCALE	FULL	
DO NOT SCALE PRINT		
UNLESS OTHERWISE SPECIFIED TOLERANCES ARE		
ONE PLACE	(.0)	± .030
TWO PLACES	(.00)	± .015
THREE PLACES	(.000)	± .005
ANGLES		±
WEIGHT		